

API600 cast steel flanged gate valve (150lb)



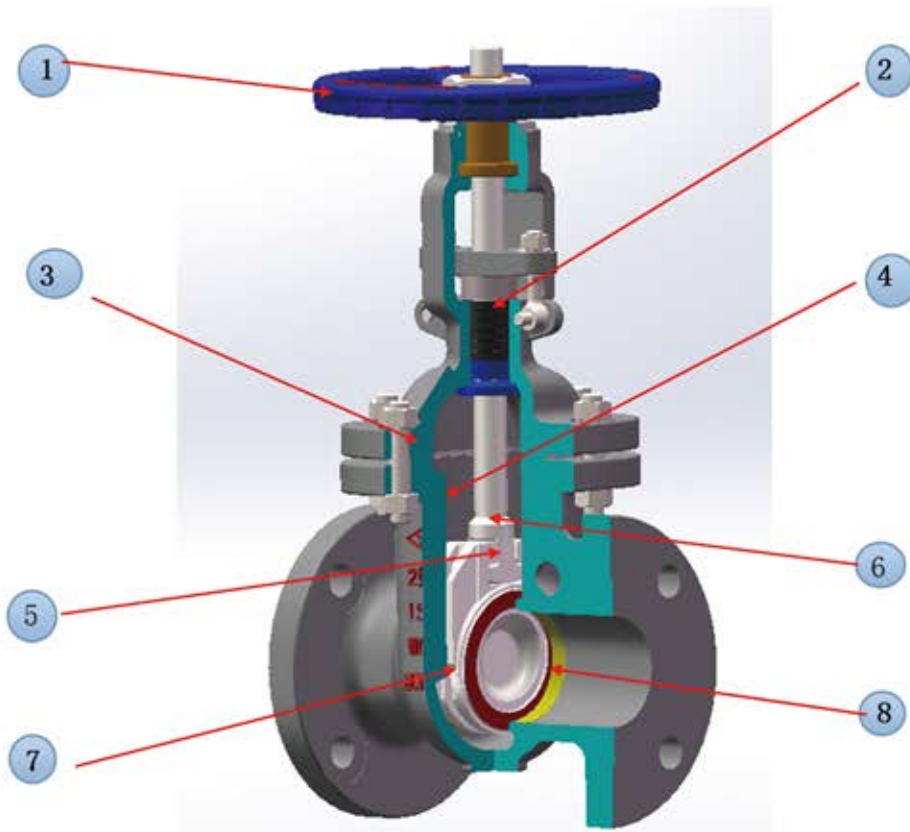
PRODUCT OVERVIEW

Body material:	ASTM A216 WCB
Size range:	2" ~ 48"
Pressure rating:	Class 150lb
Operating temperature:	-29 ~ 425°C
End connection:	Flanged
Applicable medium:	Water, Steam, Oil
Mode of operation:	Manual
Applicable industry:	Chemical & Petrochemical, Oil & Gas, Mining & Minerals, Power generation, Water & Water Treatment, Pulp & Paper, Municipal, Heating & Ventilation
Design & Manufacture:	API, ASME, ASTM, ANSI, BS, DIN, JIS, ISO, GB

DESIGN FEATURES

1. The valve allows to remove the hand wheel in the fully open position;
2. The packing can be replaced with different materials and structures according to the requirements of customer;
3. The medium-caliber gasket is a corrugated metal gasket, which has better sealing performance and longer service life, and can be disassembled and used repeatedly;
4. The integral guide rail inside the valve body can ensure that the gate plate is aligned at any position during the process of opening and closing.
5. The joint strength between the valve stem and the gate plate is higher than that of the thread of the valve stem;
6. The anti-blow-out valve stem is designed with a tapered upper sealing surface. When the valve is fully opened, it is in close contact with the valve bonnet;
7. The elastic wedge gate plate can compensate the distortion of the seat ring surface and the deformation of the valve body caused by the pipeline stress;
8. The valve seat ring is installed by sealing welding, and customers can choose different surfacing materials for the sealing surface according to their own demands.



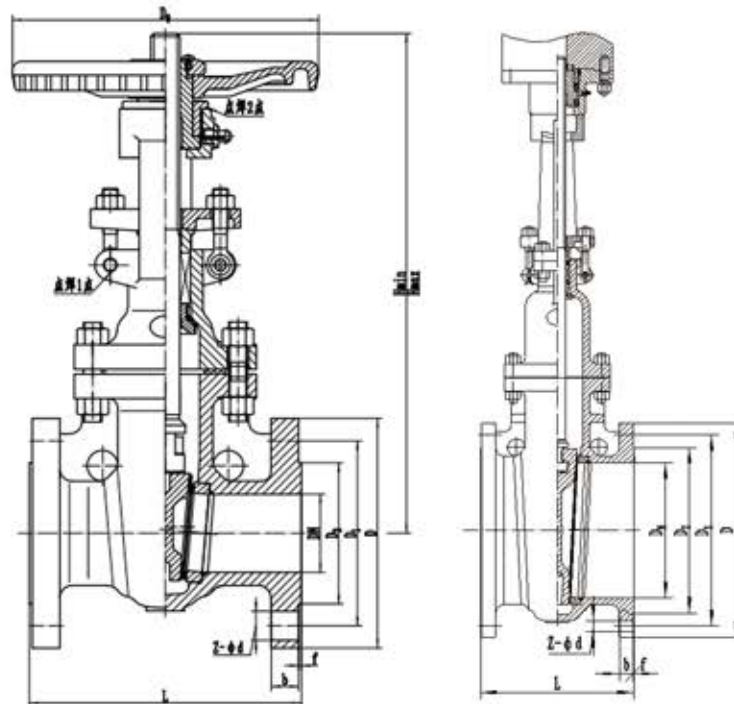


(Structure)

VALVE MATERIAL LIST

Part name	Material
Valve body, Bonnet	ASTM A216 WCB
Gate plate(2" ~ 4")	ASTM A217 CA15
Gate plate(5" ~ 48")	ASTM A216 WCB
Valve stem(2" ~ 24")	ASTM A276 410
Valve stem(28" ~ 48")	ASTM A182/A182M F6a C1.3
Stem nut	ASTM A439 D-2

TECHNICAL SPECIFICATIONS



Model	DN (mm)	Size(mm)									
		L	D	D ₁	D ₂	b-f	z-φ d	H ₁	H ₂	D ₀	
API(B) Z(5)41 -150LB	2"	51	178	150	120.7	92.1	17.5-2	4-φ 19	387	328	200
	2 1/2"	64	190	180	139.7	105	20.7-2	4-φ 19	435	350	200
	3"	77	203	190	152.4	127	22.3-2	4-φ 19	510	410	240
	4"	102	229	230	190.5	157	22.3-2	8-φ 19	580	465	280
	5"	127	254	255	215.9	185.7	22.3-2	8-φ 22.2	660	518	280
	6"	153	267	280	241.3	216	23.9-2	8-φ 22.2	775	610	320
	8"	204	292	345	298.5	270	27-2	8-φ 22.2	963	744	360
	10"	254	330	405	362	323.8	28.6-2	12-φ 25.4	1165	890	400
	12"	305	356	485	431.8	381	30.2-2	12-φ 25.4	1367	1039	450
	14"	337	381	535	476.3	412.8	33.4-2	12-φ 28.5	1545.5	1181.5	560
	16"	388	406	595	539.8	469.9	35-2	16-φ 28.5	1744	1326	560
	18"	439	432	635	577.9	533.4	38.1-2	16-φ 31.8	1930	1440	640
	20"	489	457	700	635	584.2	41.3-2	20-φ 31.8	2135	1597	640
	24"	591	508	815	749.3	692.2	46.1-2	20-φ 35	2531	1906.5	720

Model	DN (mm)	Size(mm)						
		L	D	D ₁	D ₂	b-f	z-φd	
API(B)Z540-150LB A Series Flange	28"	692.2	610	925	863.6	800	69.9-2	28-φ35
	32"	781	660	1060	977.9	914	79.4-2	28-φ41.5
	36"	876	711	1170	1.85.8	1022	88.9-2	32-φ41.5
	40"	978	762	1290	1200.2	1124	88.9-2	36-φ41.5
	48"	1168	864	1510	1422.4	1359	106.4-2	44-φ41.5

Model	DN (mm)	Size(mm)						
		L	D	D ₁	D ₂	b-f	z-φd	
API(B)Z540-150LB B Series Flange	28"	692.2	610	835	795.3	762	43-2	40-φ22.5
	32"	781	660	940	900.1	864	44.6-2	48-φ22.5
	36"	876	711	1055	1009.6	972	50.9-2	44-φ25.5
	40"	978	762	1175	1120.8	1080	54.1-2	44-φ28.5
	48"	1168	864	1390	1335.1	1289	63.6-2	44-φ32