

Brass globe valve



PRODUCT OVERVIEW

Body material:	Brass
Size range:	1/2" ~ 2"
Pressure rating:	1.6MPa
Operating temperature:	≤ 150°C
End connection:	Threaded
Applicable medium:	Water, Non-corrosive liquid
Mode of operation:	Manual
Applicable industry:	Municipal, Heating & Ventilation
Design & Manufacture:	API, ASME, ASTM, ANSI, BS, DIN, JIS, ISO, GB

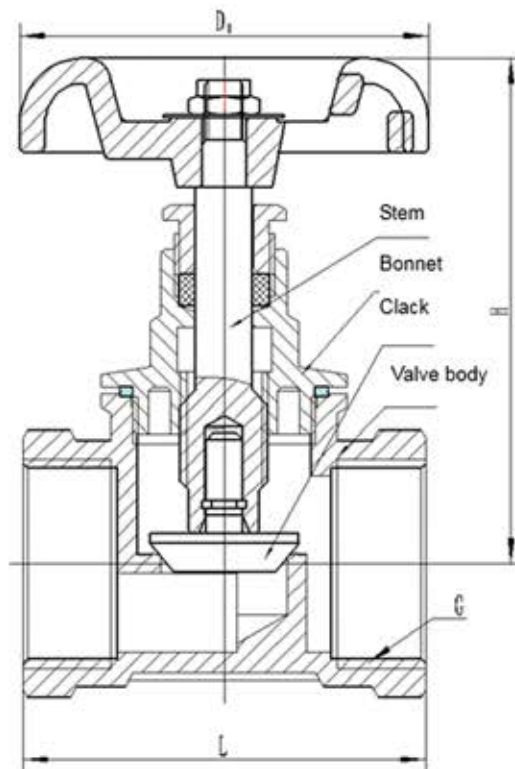
DESIGN FEATURES

1. J11W-16T is an internal thread-connected check valve, which implements the GB/T8464 standard.
2. It is composed of valve body, valve clack, bonnet, valve stem and hand wheel, etc. The valve stem is rotated by turning the hand wheel, thus driving the valve clack to rise or descend to achieve the purpose of opening and closing.

VALVE MATERIAL LIST

Part name	J11W-10/16T
Valve body, bonnet	HPb59-1
Stem	HPb57-3
Valve clack	HPb59-1





TECHNICAL SPECIFICATIONS

Model	G	Size (mm)		
		L	H	D0
J11W-10/16T	1/2	44.5	67	52
	3/4	51	79	60
	1	64	90.5	65
	1 1/4	76.5	100	73.5
	1 1/2	80.5	108.5	75
	2	97.5	124	96