

Brass internal thread ball valve



PRODUCT OVERVIEW

Body material:	Brass
Size range:	DN15 ~ 40
Pressure rating:	1.6MPa
Operating temperature:	-20 ~ 150°C
End connection:	Threaded
Applicable medium:	Water, Steam, Oil, Indoor pipeline gas, Non-corrosive liquid
Mode of operation:	Manual
Applicable industry:	Municipal, Heating & Ventilation
Design & Manufacture:	API, ASME, ASTM, ANSI, BS, DIN, JIS, ISO, GB

DESIGN FEATURES

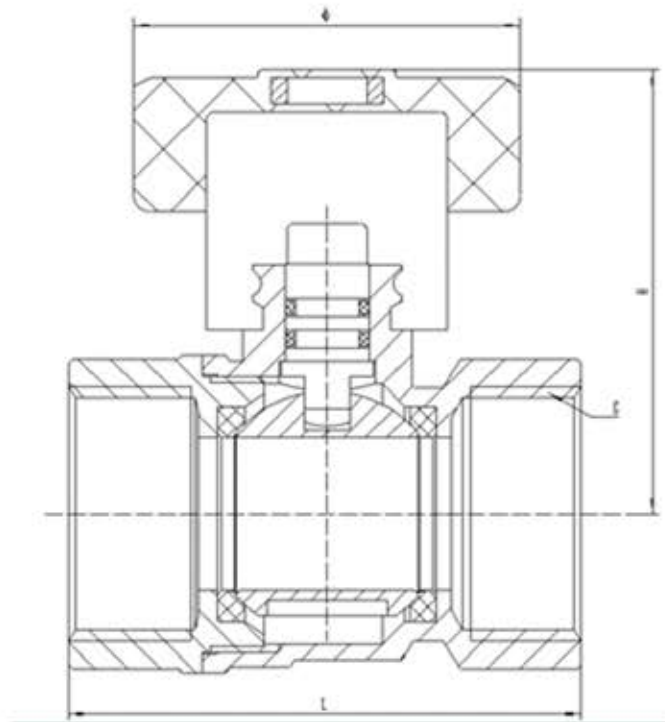
1. CXSBQ11F-16T is an internal thread-connected ball valve, which implements the GB/T8464 standard.

2. CXSBQ11F-16T is composed of valve body, globe, valve stem, magnetic lock and other parts. When the key lever is parallel to the pipeline axis, the valve is in the open position; when the lever is perpendicular to the pipeline axis, it is in the closed position. It can be opened or closed through turning the key lever by 90° .

VALVE MATERIAL LIST

Part name	Part material
Valve body	HPb59-1
Globe	HPb59-1
Valve stem	HPb57-3
Sealing ring	PTFE





TECHNICAL SPECIFICATIONS

	DN	G	Size (mm)		
			L	H	φ
	15	1/2"	52	50	50.5
	20	3/4"	56.9	53.5	50.5
	25	1"	67	58	50.5
	32	1 1/4"	77	62	50.5
	40	1 1/2"	88	66.5	50.5