

Brass internal thread swing check valve



PRODUCT OVERVIEW

Body material:	Brass
Size range:	DN15 ~ 50
Pressure rating:	1.6MPa
Operating temperature:	≤ 100°C
End connection:	Threaded
Applicable medium:	Water, Steam, Oil
Mode of operation:	Manual
Applicable industry:	Chemical & Petrochemical, Oil & Gas, Mining & Minerals, Power generation, Water & Water Treatment, Pulp & Paper, Municipal, Heating & Ventilation
Design & Manufacture:	API, ASME, ASTM, ANSI, BS, DIN, JIS, ISO, GB

DESIGN FEATURES

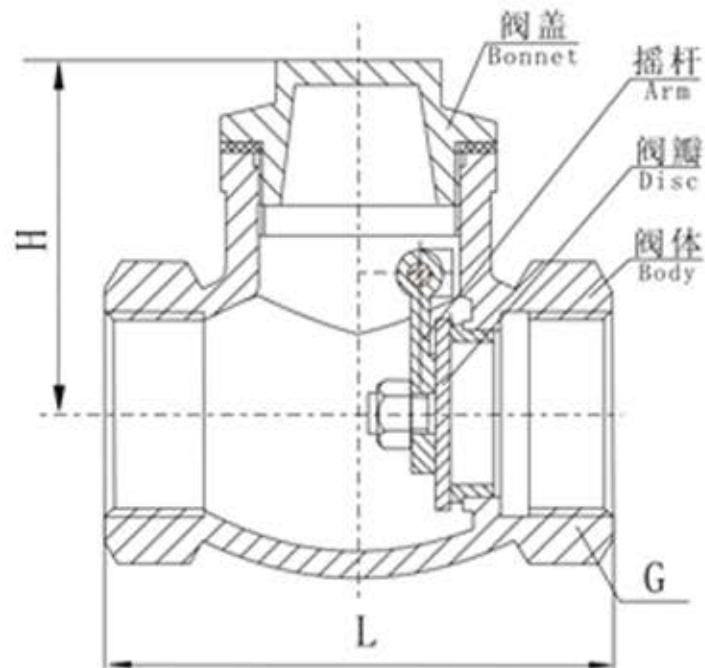
1. This valve is an internal thread-connected swing check valve, which is composed of valve body, bonnet, valve clack, rocker and other parts.

2. In this valve, when the medium flows in from the inlet, the valve clack will be actuated by the flowing medium, the valve will open, and the medium will flow out from the outlet. When the inlet pressure is lower than the outlet pressure, the valve clack will be automatically closed under the combined action of the fluid pressure difference and its own weight.

VALVE MATERIAL LIST

Part name	Part material
Valve body, bonnet	Brass
Rocker	Brass
Valve clack	Brass





TECHNICAL SPECIFICATIONS

Model	G	Size (mm)	
		L	H
H14T-16	1/2	46	34
	3/4	52.5	38
	1	59	40
	1 1/4	70	48
	1 1/2	82	60
	2	94	65