

Cast Iron Flanged Globe Valve



PRODUCT OVERVIEW

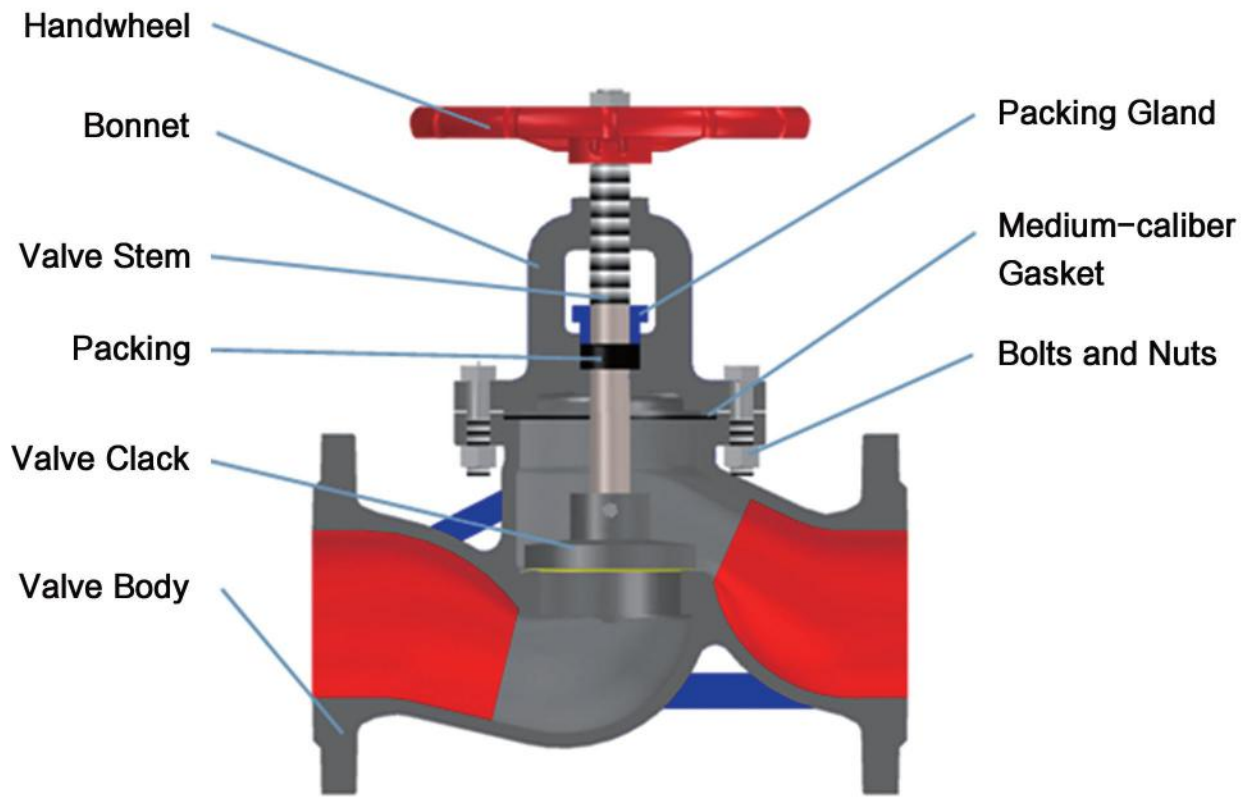
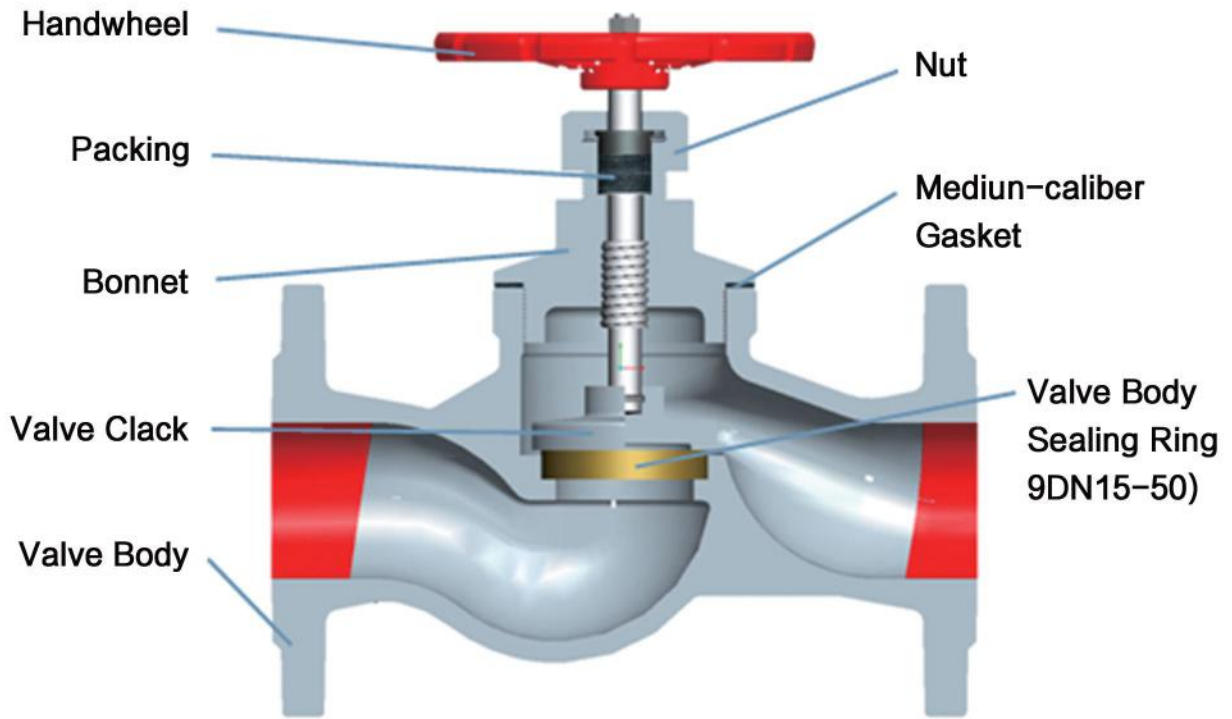
Body material:	Gray cast iron / Ductile cast iron
Size range:	DN15 ~ 300mm
Pressure rating:	1.0~1.6MPa
Operating temperature:	0~ 200°C
End connection:	Flanged
Applicable medium:	Water, Sewage, Steam, Oil
Mode of operation:	Manual
Applicable industry:	Water & Water Treatment, Power Generation, Pulp & Paper, Municipal
Design & Manufacture:	API, ASME, ASTM, ANSI, BS, DIN, JIS, ISO, GB

DESIGN FEATURES

1. The structure is reasonable and compact, and the volume is small. The valve body is barrel-shaped or streamlined, and it looks beautiful.
2. The opening and closing torque is small, and the sealing is safe and reliable.
3. A replaceable valve seat can be used, so that it can be matched with the material of the sealing surface of the closing member in any combination to meet the requirements of the working conditions.

VALVE MATERIAL LIST

Part Name	Part Material
Valve body, Bonnet	DN15–65 gray cast iron/ DN80–300 nodular cast iron
Valve stem	Carbon steel, Stainless steel
Valve clack	Gray cast iron + copper, Gray cast iron, Gray cast iron + stainless steel, Gray cast iron + F4, Gray cast iron + rubber
Medium-caliber gasket	XB30
Packing	Flexible graphite
Bolts and nuts	25/35
Valve body sealing ring	HR200/Brass (only for DN15–50)



TECHNICAL SPECIFICATIONS

DN	L	D	D ₁	D ₂	b-f	z-Φd	H _{max} -H _{min}	w
15	130	95	65	45	14-2	4-Φ14	(113)200	80
20	150	105	75	55	16-2	4-Φ14	(113)200	80
25	160	115	85	65	16-2	4-Φ14	(125)220	80
32	180	135	100	78	18-2	4-Φ18	(145)245	100
40	200	145	110	85	18-3	4-Φ18	(180)260	130
50	230	160	125	100	20-3	4-Φ18	(200)285	130
65	290	180	145	120	20-3	4-Φ18	(205)300	150
80	310	195	160	135	22-3	4-Φ18	350	240
100	350	215	180	155	24-3	8-Φ18	365	240
125	400	245	210	185	26-3	8-Φ18	430	300
150	480	280	240	210	28-3	8-Φ23	450	300
200	600	335	295	265	30-3	8-Φ23	510	360
250	650	390	350	320	32-3	12-Φ23	620	420
300	698	440	400	368	34-3	12-Φ23	890	600

