

Cast Iron Swing Check Valve



PRODUCT OVERVIEW

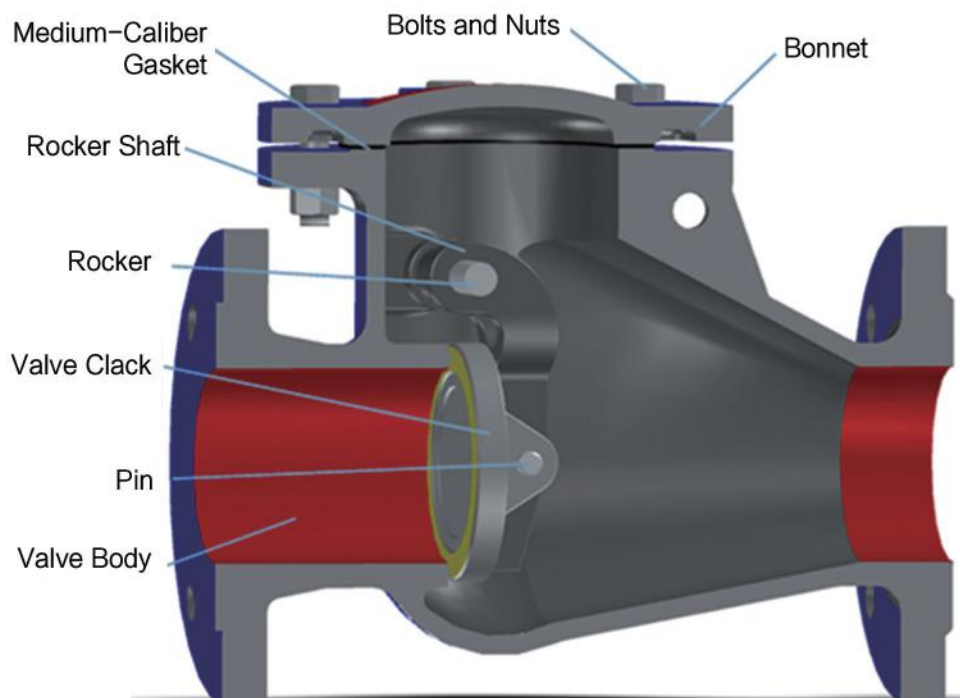
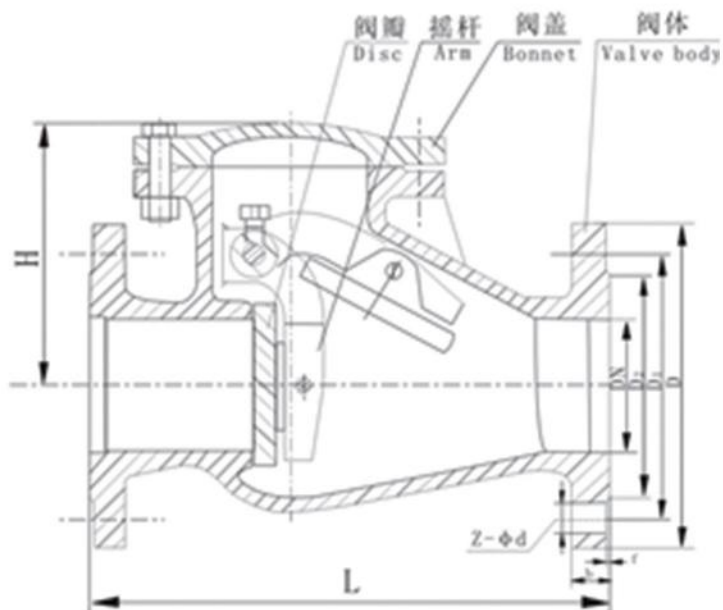
Body material:	Gary cast iron/ Ductile cast iron
Size range:	DN40 ~ 600mm
Pressure rating:	1.0 ~ 1.6MPa
Operating temperature:	0 ~ 120°C
End connection:	Flanged
Applicable medium:	Water, Oil
Mode of operation:	Manual
Applicable industry:	Water & Water treatment, Power generation, Pulp & Paper, Municipal, Heating & Ventilation
Design & Manufacture:	API, ASME, ASTM, ANSI, BS, DIN, JIS, ISO, GB

DESIGN FEATURES

1. The fluid resistance is small, and thus the sealing surface will be less eroded and corroded by the medium.
2. It features shape simple, good manufacturing process, and wide scope of application.
3. The stop block in the valve cavity prevents the valve clack from being opened too high to be closed, making the performance of the whole machine more stable.
4. The flow direction of the medium during installation is consistent with the direction of the arrow on the valve body.

VALVE MATERIAL LIST

Part Name	Part Material
Valve body, Bonnet, Valve clack	QT450-10/HT200
Rocker	QT450-10
Rocker shaft	35. Stainless steel
Medium-caliber gasket	XB300
Pin	35. Stainless steel
Bolts and nuts	25/35



TECHNICAL SPECIFICATIONS

Model	DN	L	D	D1	D2	b-f	z-Φd	H
H44T/W-10	40	200	145	110	85	17-3	4-Φ18	119
	50	230	160	125	100	19-3	4-Φ18	129
	65	290	180	145	120	19-3	4-Φ18	130
	80	310	195	160	135	21-3	4-Φ18	159
	100	350	215	180	155	21-3	8-Φ18	163
	125	400	245	210	185	23-3	8-Φ18	196
	150	480	280	240	210	23-3	8-Φ23	226
	200	495	335	295	265	25-3	8-Φ23	253
	250	622	395	350	319	22-3	8-Φ23	294
	300	698	445	400	370	28-4	12-Φ23	350
	350	787	505	460	429	30-4	16-Φ23	395
	400	914	565	515	480	32-4	16-Φ28	449
	500	978	670	620	585	34-4	20-Φ25	531
	600	1295	780	725	682	36-4	20-Φ31	622