

Cast Iron Vertical Lift Check Valve



PRODUCT OVERVIEW

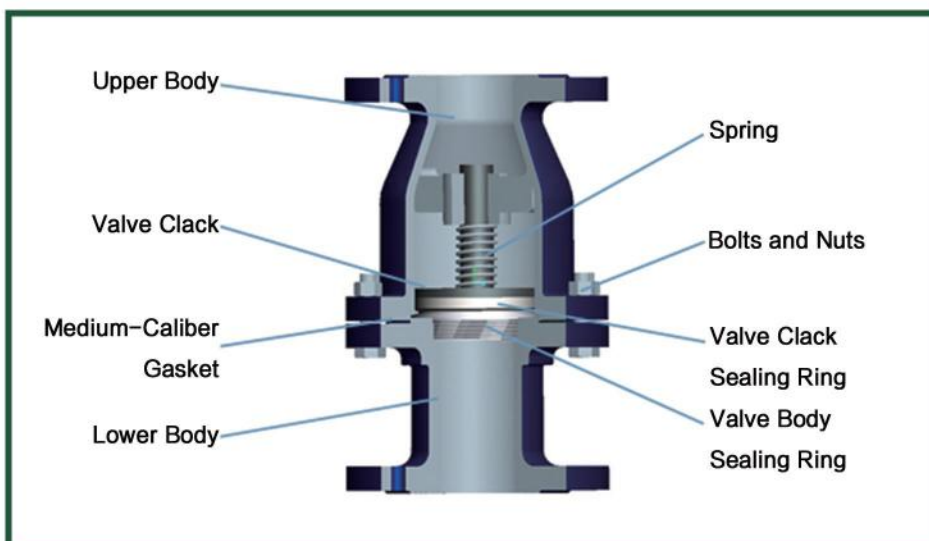
Body material:	Gary cast iron HT200
Size range:	DN32 ~ 200mm
Pressure rating:	1.6MPa
Operating temperature:	0 ~ 200°C
End connection:	Flanged
Applicable medium:	Water, Steam, Oil
Mode of operation:	Manual
Applicable industry:	Water & Water treatment, Power generation, Pulp & Paper, Municipal, Heating & Ventilation
Design & Manufacture:	API, ASME, ASTM, ANSI, BS, DIN, JIS, ISO, GB

DESIGN FEATURES

1. It features reasonable compact structure with small volume. And the valve body has a streamlined and beautiful appearance.
2. The opening and closing torque is small, and the sealing is safe and reliable.
3. It features shape simple, good manufacturing process, and wide scope of application.

VALVE MATERIAL LIST

Part Name	Part Material
Upper valve body, Lower valve body	HT200
Valve clack	HT200
Medium-caliber gasket	XB300
Valve body sealing ring	Z2Cr13
Valve clack sealing ring	Z2Cr13



TECHNICAL SPECIFICATIONS

Model	DN	L	D	D ₁	D ₂	b-f	Z-Φd
H42H-16	32	180	135	100	78	18-2	4-Φ18
	40	200	145	110	85	18-3	4-Φ18
	50	230	160	125	100	20-3	4-Φ18
	65	290	180	145	120	20-3	4-Φ18
	80	310	195	160	135	22-3	8-Φ18
	100	350	215	180	155	24-3	8-Φ18
	125	400	245	210	185	26-3	8-Φ18
	150	480	280	240	210	28-3	8-Φ23
	200	600	335	295	265	30-3	12-Φ23

