

Electric cast steel flanged gate valve (Flat bonnet)



PRODUCT OVERVIEW

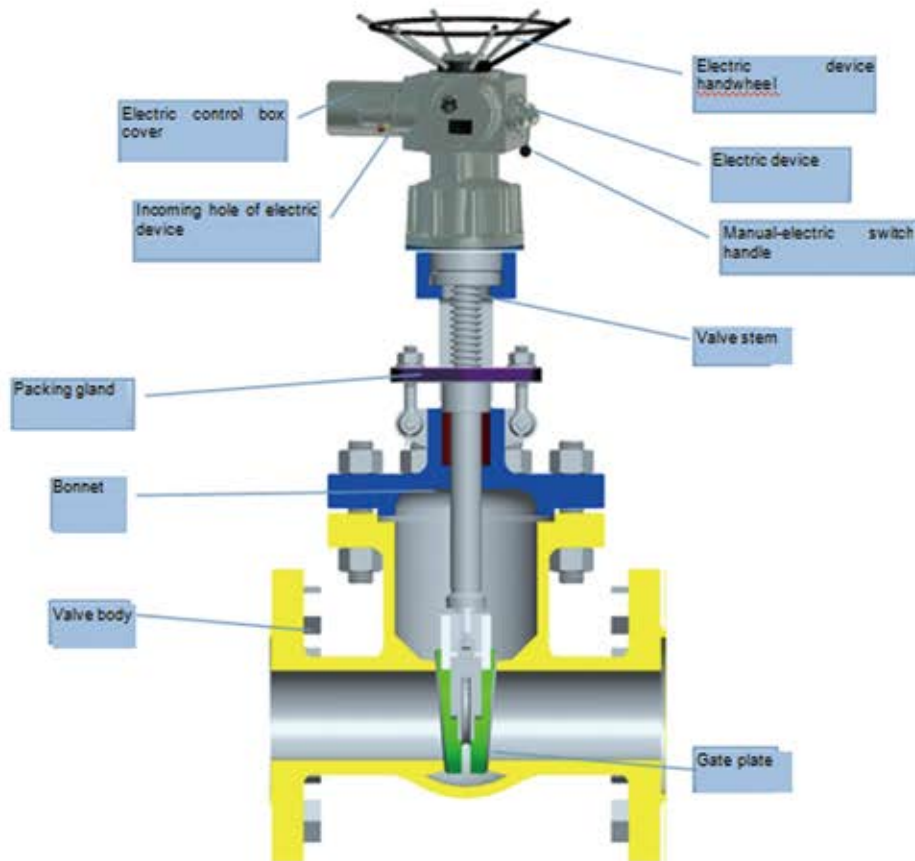
Body material:	WCB
Size range:	DN40 ~ 600
Pressure rating:	4.0 ~ 6.4MPa
Operating temperature:	-29 ~ 425°C
End connection:	Flanged
Applicable medium:	Water, Steam, Oil
Mode of operation:	Electric
Applicable industry:	Chemical & Petrochemical, Oil & Gas, Mining & Minerals, Power generation, Water & Water Treatment, Pulp & Paper, Municipal, Heating & Ventilation
Design & Manufacture:	API, ASME, ASTM, ANSI, BS, DIN, JIS, ISO, GB

DESIGN FEATURES

1. This is a flange valve, which implements the standard GB/T12234.
2. This valve is composed of a valve body, a bonnet, a gate plate, a valve stem, an electric device and other parts. The valve stem is driven by the motor of electric device or by rotating the handwheel to move up and down, which can make a linear displacement of gate plate perpendicular to the fluid, so as to realize the function of opening and closing.
3. The electric device is equipped with a limit switch, which can automatically cut off the circuit when exceeding the limit. At the same time, for safety, it is also equipped with an electric overload protection device and a signal light indicator.



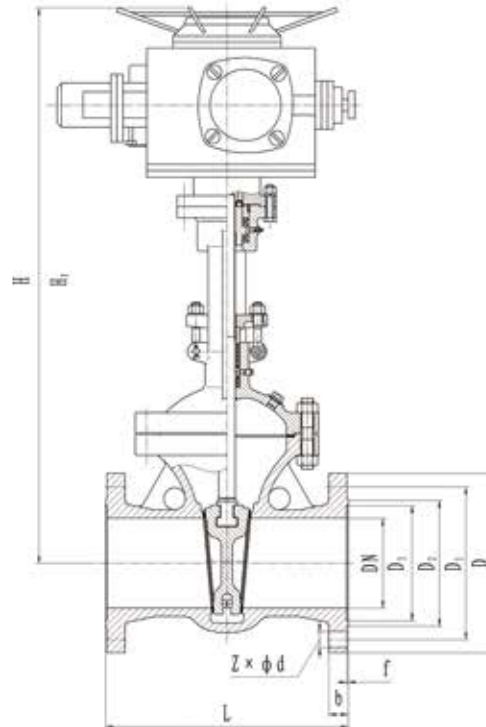
VALVE MATERIAL LIST



(Structure)

Part name	Material
Valve body, bonnet	WCB
Medium-caliber gasket	1Cr13+flexible graphite
Stem nut	ZQAI 9-4
Stem	2Cr13

TECHNICAL SPECIFICATIONS



Model	DN (mm)	H	L	D	D ₁	D ₂	D ₃	z-φ d	Electrical Device Model	Nominal Torque (N. m)
Z940H-40	40	650	200	150	110	84	76	4-φ 18	10	100
	50	706	250	165	125	99	88	4-φ 18	10	100
	65	740	280	185	145	118	110	8-φ 18	10	100
	80	776	310	200	160	132	121	8-φ 18	15	150
	100	860	350	235	190	156	150	8-φ 22	20	200
	125	967	400	270	220	184	176	8-φ 26	30	300
	150	998	450	300	250	211	204	8-φ 26	30	300
	200	1255	550	375	320	284	260	12-φ 30	45	450
	250	1419	650	450	385	345	313	12-φ 33	60	600
	300	1572	750	515	450	409	364	16-φ 33	90	900
	350	1728	850	570	510	465	422	16-φ 34	120	1200
	400	2136	950	655	585	535	474	16-φ 41	180	1800
500	2441	1150	755	670	612	576	20-φ 48	250	2500	
Z942H-40	600	2582	1350	890	795	730	676	20-φ 48	350	3500

Model	DN (mm)	H	L	D	D ₁	D ₂	D ₃	z-φd	Electrical Device Model	Nominal Torque (N. m)
Z940H-64	40	650	240	170	125	84	76	4-φ22	10	100
	50	708	250	180	135	99	88	4-φ22	10	100
	65	739	280	205	160	118	110	8-φ22	15	150
	80	792	310	215	170	132	121	8-φ22	20	200
	100	873	350	250	200	156	150	8-φ26	30	300
	125	963	400	295	240	184	176	8-φ30	30	300
	150	1110	450	345	280	211	204	8-φ33	45	450
	200	1260	550	405	345	284	260	12-φ36	60	600
	250	1446	650	470	400	345	313	12-φ36	90	900
	300	1572	750	530	460	409	364	16-φ36	120	1200
	350	1941	850	595	525	475	422	16-φ41	180	1800
	400	2141	950	670	585	525	474	16-φ48	250	2500
500	2531	1150	800	705	640	576	20-φ64	350	3500	
Z942H-64	600	2852	1350	930	820	730	676	20-φ68	500	5000