

Forged steel flanged globe valve

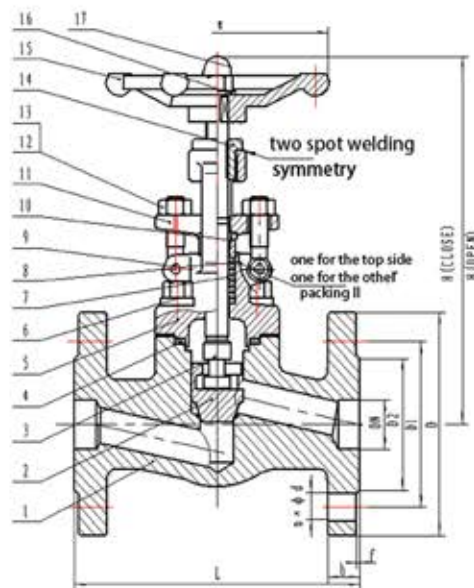


PRODUCT OVERVIEW

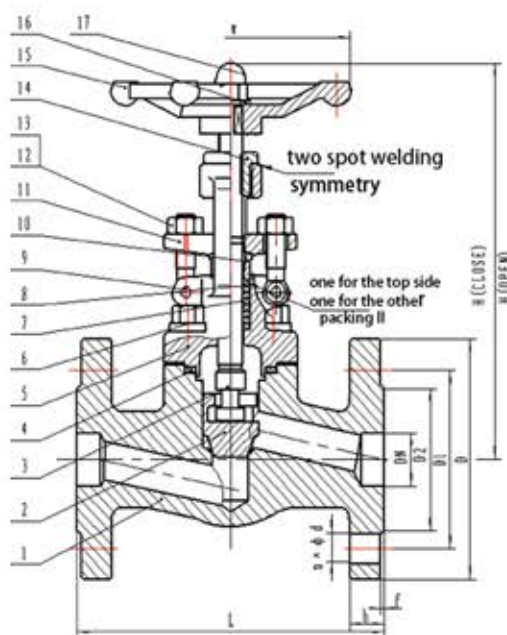
Body material:	A105N/A350 LF2/A182 F11/A182 F22/A182 F304/A182 F316/A182 F304L/A182 F316L
Size range:	DN15 ~ 50
Pressure rating:	1.6 ~ 10.0MPa
Operating temperature:	-29 ~ 538°C
End connection:	Flanged
Applicable medium:	Water, Steam, Oil, Gas, etc.
Mode of operation:	Manual
Applicable industry:	Chemical & Petrochemical, Oil & Gas, Mining & Minerals, Power generation, Water & Water Treatment, Pulp & Paper, Municipal, Heating & Ventilation
Design & Manufacture:	API, ASME, ASTM, ANSI, BS, DIN, JIS, ISO, GB

DESIGN FEATURES

- 1 The stem is designed to have double sealing function, i.e., packing and upper sealing.
- 2 The connecting part of the valve stem and the valve clack utilizes cylindrical head structure. In addition, the valve stem head is designed in spherical shape to realize that the thrust point of the valve stem acting on the valve clack is circular when the valve is closed.
- 3 The Valve clack' s tapered sealing surface can narrow the contact area. Under the action of force, the specific pressure of the seal is relatively greatly increased, so that the applied sealing force is smaller, which makes the sealing much easier to implement.
- 4 The valve body and the bonnet are connected through a tongue and groove joint, which can reduce the extension and overpressure deformation of the metal spiral wound gasket under the action of preload.
- 5 The movable joint is connected by swing bolts, nuts and pin shafts, which are easy to install, simple in structure, strong in stability and long in service life.



(DN15 ~ DN50、PN16 ~ PN25)



(DN15 ~ D50、PN40 ~ PN100)

VALVE MATERIAL LIST

S/N	Part name	Material							
		A105N	A350 LF2	A182 F11	A182 F22	A182 F304	A182 F316	A182 F304L	A182 F316L
1	Valve body	A105N	A350 LF2	A182 F11	A182 F22	A182 F304	A182 F316	A182 F304L	A182 F316L
2	Valve clack	2Cr13/STL				A182 F304/STL	A182 F316/STL	A182 F304L/STL	A182 F316L/STL
3	Valve stem	1Cr13				A276 304	A276 316	A276 304L	A276 316L
4	Medium-caliber gasket	201+ flexible graphite /304+ flexible graphite							
5	Bonnet	A105N	A350 LF2	A182 F11	A182 F22	A182 F304	A182 F316	A182 F304L	A182 F316L
6	Medium-caliber bolt	A193 B7	A193 B7	A193 B16	A193 B16	A193 B8	A193 B8M	A193 B8M	A193 B8M
7	Packing I	flexible graphite							
8	Packing II	Steel wire packing (304+ flexible graphite)							
9	Lateral pin	45							

S/N	Part name	Material							
		2Cr13	2Cr13	2Cr13	2Cr13	A276 304	A276 316	A276 304L	A276 316L
10	Packing sleeve	2Cr13	2Cr13	2Cr13	2Cr13	A276 304	A276 316	A276 304L	A276 316L
11	Packing plate	A105N	A350 LF2	A182 F11	A182 F22	A182 F304	A182 F316	A182 F304L	A182 F316L
12	Nut	A194 2H	A194 2H	A194 2H	A194 2H	A194 8M	A194 8M	A194 8M	A194 8M
13	Swing bolt	A193 B7	A193 B7	A193 B7	A193 B7	A193 B8	A193 B8M	A193 B8M	A193 B8M
14	Stem nut	35/1Cr13							
15	Handwheel	Forgeable cast-iron							
16	Flat Washers	Q235							
17	Cap nut	25				304			

The applicable medium and temperature range of shell material

Shell material	A105N	A350 LF2	A182 F11/F22	A182 F304/F316	A182 F304L	A182 F316L
Applicable temperature (°C)	-29 ~ 425	-46 ~ 345	-29 ~ 538	-29 ~ 538	-29 ~ 425	-29 ~ 450
Applicable medium	Water, steam, oil	Water, steam, oil, gas	Water, steam, oil, gas	Water, steam, oil, gas	Water, steam, oil, gas	Water, steam, oil, gas

Note: When the medium is flammable or explosive, the working temperature of pipeline system must be restricted.

TECHNICAL SPECIFICATIONS

Model	DN (mm)	Size(mm)									
		L	D	D ₁	D ₂	b	f	n-φd	H(CLOSE)	H(OPEN)	W
DN15 ~ DN50、PN16	15	130	95	65	45	16	2	4-φ14	159	167	100
	20	150	105	75	58	18	2	4-φ14	162.5	170	100
	25	160	115	85	68	18	2	4-φ14	189.5	202	120
	32	180	140	100	78	18	2	4-φ18	222	236	160
	40	200	150	110	88	18	3	4-φ18	238	261.5	160
	50	230	165	125	102	18	3	4-φ18	273	303	180

Model	DN (mm)	Size(mm)									
		L	D	D ₁	D ₂	b	f	n-φd	H(CLOSE)	H(OPEN)	W
DN15 ~ DN50、PN25	15	130	95	65	45	16	2	4-φ14	159	167	100
	20	150	105	75	58	18	2	4-φ14	162.5	170	100
	25	160	115	85	68	18	2	4-φ14	189.5	202	120
	32	180	140	100	78	18	2	4-φ18	222	236	160
	40	200	150	110	88	18	3	4-φ18	238	261.5	160
	50	230	165	125	102	20	3	4-φ18	273	303	180

Model	DN (mm)	Size(mm)											
		L	D	D ₁	D ₂	D ₃	b	f	f ₁	n-φd	H(CLOSE)	H(OPEN)	W
DN15 ~ DN50、PN40	15	130	95	65	45	40	16	2	4	4-φ14	159	167	100
	20	150	105	75	58	51	18	2	4	4-φ14	162.5	170	100
	25	160	115	90	68	58	18	2	4	4-φ14	189.5	202	120
	32	180	140	100	78	66	18	2	4	4-φ18	222	236	160
	40	200	150	110	88	76	18	3	4	4-φ18	238	261.5	160
	50	230	165	125	102	88	20	3	4	4-φ18	273	303	160

Model	DN (mm)	Size(mm)										H(CLOSE)	H(OPEN)	W
		L	D	D ₁	D ₂	D ₃	b	f	f ₁	n-φd				
DN15 ~ DN50、 PN63	15	170	105	75	45	40	20	2	4	4-φ14	159	167	100	
	20	190	130	90	58	51	22	2	4	4-φ18	162.5	170	100	
	25	210	140	100	68	58	24	2	4	4-φ18	189.5	202	120	
	32	230	155	110	78	66	26	2	4	4-φ22	222	236	160	
	40	260	170	125	88	76	28	3	4	4-φ22	238	261.5	160	
	50	300	180	135	102	88	26	3	4	4-φ22	273	303	160	

Model	DN (mm)	Size(mm)										H(CLOSE)	H(OPEN)	W
		L	D	D ₁	D ₂	D ₃	b	f	f ₁	n-φd				
DN15 ~ DN50、 PN63	15	170	105	75	45	40	20	2	4	4-φ14	159	167	100	
	20	190	130	90	58	51	22	2	4	4-φ18	162.5	170	100	
	25	210	140	100	68	58	24	2	4	4-φ18	189.5	202	120	
	32	230	155	110	78	66	26	2	4	4-φ22	222	236	160	
	40	260	170	125	88	76	28	3	4	4-φ22	238	261.5	160	
	50	300	195	145	102	88	30	3	4	4-φ26	273	303	160	