

Seawater Corrosion Resistance Hard-Sealing Butterfly Valve

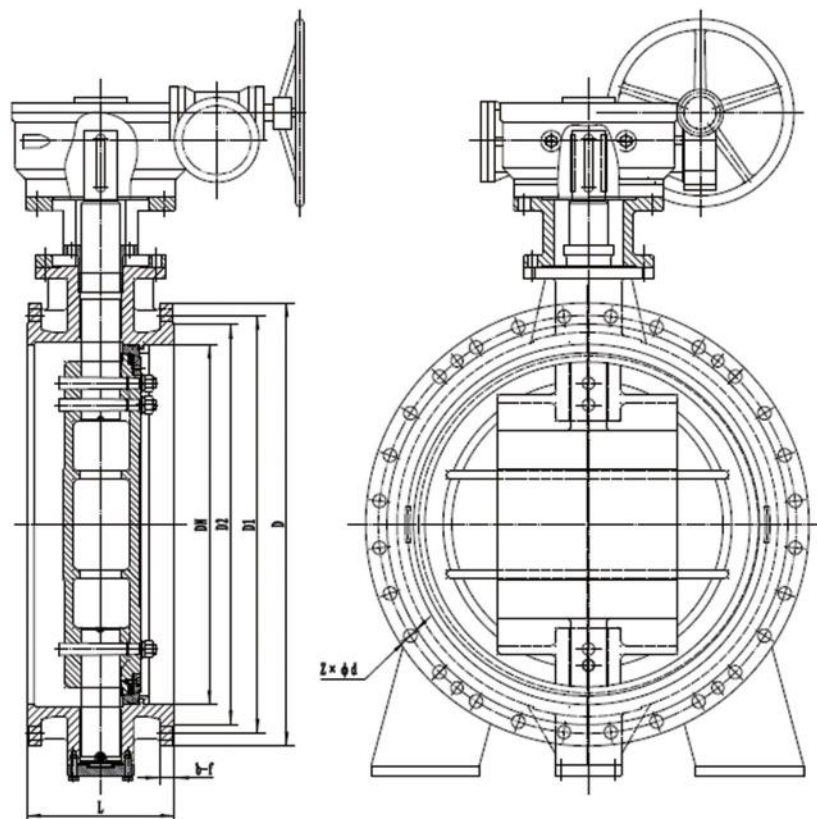


PRODUCT OVERVIEW

Body material:	Ductile cast iron/ Nickel-chromium ductile cast iron
Size range:	DN500 ~ 2000mm
Pressure rating:	1.6MPa
Operating temperature:	-10 ~ 80°C
End connection:	Flanged
Applicable medium:	Seawater, Water, Sewage
Mode of operation:	Electric
Applicable industry:	Water & Water Treatment, Power Generation, Pulp & Paper, Municipal
Design & Manufacture:	API, ASME, ASTM, ANSI, BS, DIN, JIS, ISO, GB

DESIGN FEATURES

1. This valve is of a double eccentric structure, which has a tighter sealing function as it closes, and reliable sealing performance.
2. The disc plate sealing ring adopts a 304+ flexible graphite sealing ring.
3. The disc plate has high strength, large flow area and small flow resistance.
4. The valve shaft is sealed with O-type rubber packing. The higher the medium pressure, the better the sealing. After the packing is worn out, it can be compensated by pressing the packing gland.



VALVE MATERIAL LIST

Part Name	Part Material
Valve body, disc plate, bracket, end cover	Nodular cast iron QT450-10; Nichrome nodular cast iron
Valve shaft	Stainless steel 2Cr13/ Duplex stainless steel
Disc plate sealing ring	304+Flexible graphite
Shaft sleeve	SF-1 SF-1
Fasteners in the valve body	304
Other connecting bolts, nuts, washers	25/35/304
Disc plate pressing ring	Q235/304

TECHNICAL SPECIFICATIONS

DN	D	D1	D2	b	L	z-Φd
500	Φ715	Φ650	Φ609	31.5	229 ± 3	20-Φ34