

# Stainless steel swing check valve



## PRODUCT OVERVIEW

Body material:	CF8/CF8M
Size range:	DN50 ~ 200
Pressure rating:	1.0 ~ 1.6MPa
Operating temperature:	-29 ~ 150°C
End connection:	Flanged
Applicable medium:	Water, Sewage, Steam, Oil, Nitric acid liquid, Acetic acid liquid
Mode of operation:	/
Applicable industry:	Chemical & Petrochemical, Oil & Gas, Mining & Minerals, Power generation, Water & Water Treatment, Pulp & Paper, Municipal, Heating & Ventilation
Design & Manufacture:	API, ASME, ASTM, ANSI, BS, DIN, JIS, ISO, GB

## DESIGN FEATURES

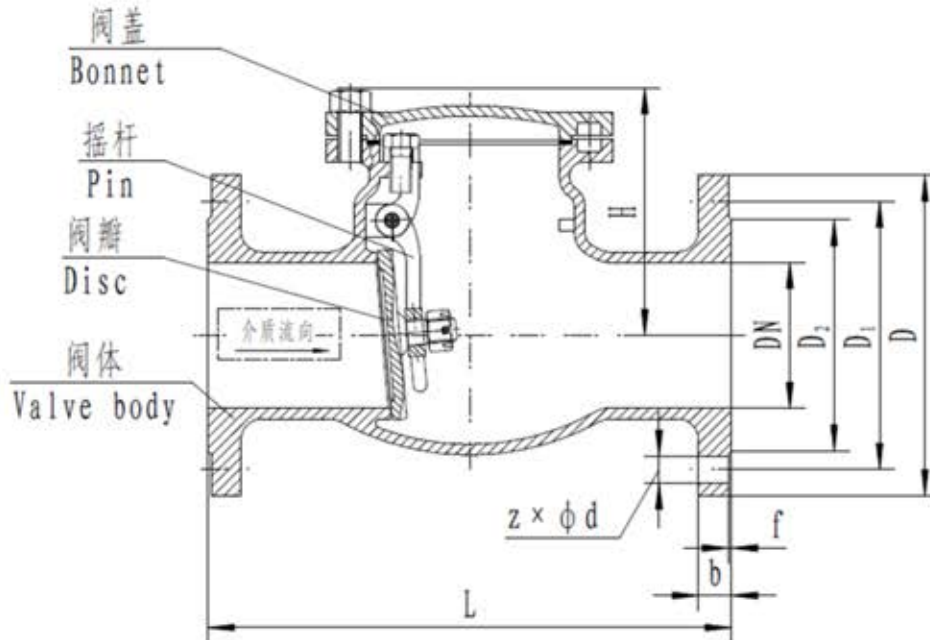
This valve is composed of a valve body, a bonnet, a valve clack and other parts. The valve clack can automatically prevent the fluid from flowing back. The valve clack of this valve opens under the action of fluid pressure, and the fluid flows from the inlet to the outlet. When the inlet pressure is lower than the outlet pressure, the valve clack closes automatically under the action of the fluid pressure difference, gravity and other factors to prevent the medium from flowing back.



## VALVE MATERIAL LIST

Part name	Part material
Valve body, bonnet, valve clack, bracket, rocker	CF8
Hexagon slotted nut, cylindrical pin	304

## TECHNICAL SPECIFICATIONS



Model	DN (mm)	Size(mm)						
		L	D	D <sub>1</sub>	D <sub>2</sub>	b-f	z* φ d	H
	50	230	160	125	100	16-2	4* φ 18	129
	65	290	180	145	120	18-2	4* φ 18	144
	80	310	195	160	135	20-2	4/8* φ 18	158
	100	350	215	180	155	20-2	8* φ 18	166
	125	400	245	210	185	22-2	8* φ 18	191
	150	480	280	240	210	24-2	8* φ 23	212
	200	495	335	295	265	26-2	8/12* φ 23	253