

Underground Installed Type Non-Rising Stem Gate Valve



PRODUCT OVERVIEW

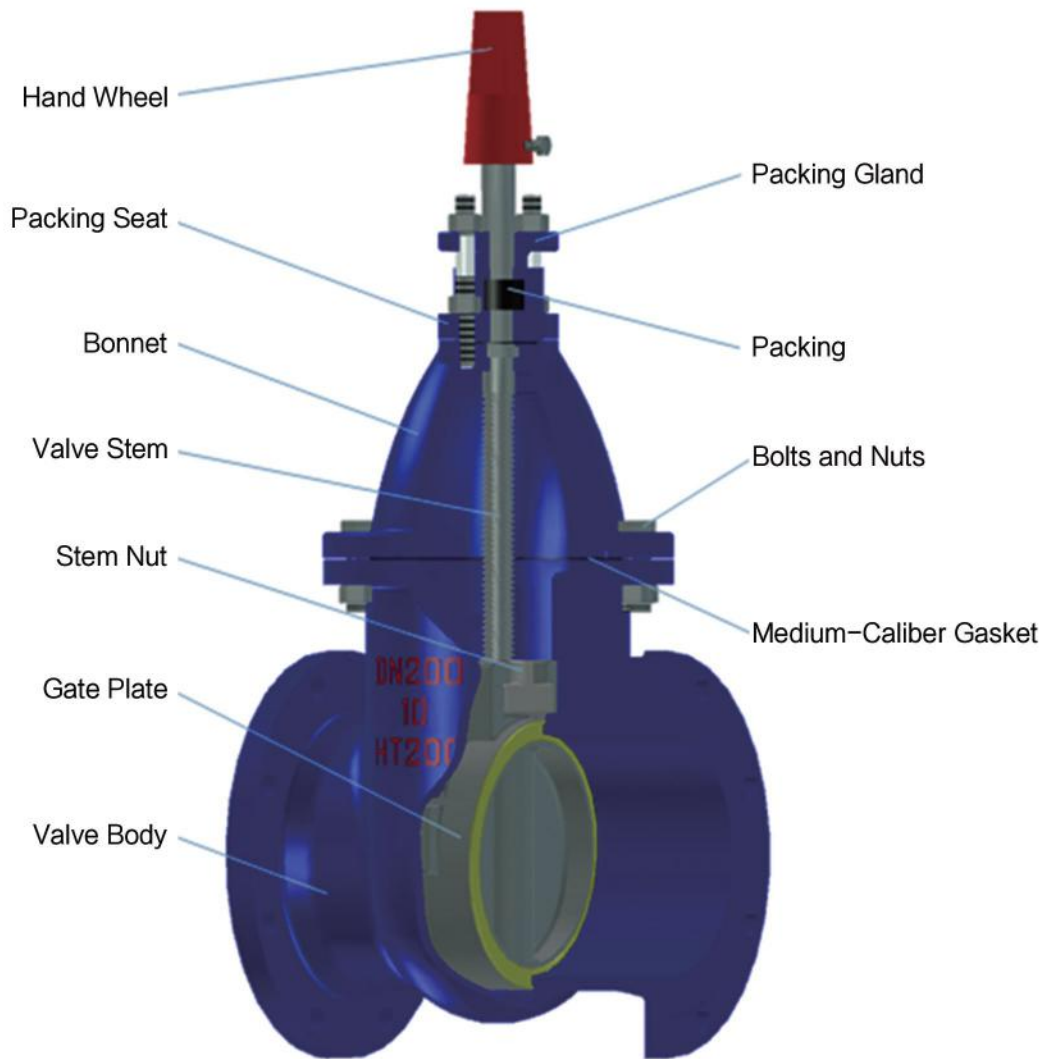
Body material:	Gray cast iron HT200
Size range:	DN40 ~ 400mm
Pressure rating:	1.0 MPa
Operating temperature:	-10 ~ 100°C
End connection:	Flanged
Applicable medium:	Water, Sewage, Oil
Mode of operation:	Manual
Applicable industry:	Water & Water treatment, Power generation, Pulp & Paper, Municipal, Heating & Ventilation
Design & Manufacture:	API, ASME, ASTM, ANSI, BS, DIN, JIS, ISO, GB

DESIGN FEATURES

1. The valve has a simple form and structure, showing excellent manufacturing technologies. It also has a wide scope of application and can be installed easily.
2. It has a reasonable, compact structure, a small size and a wedge valve gate, which can automatically compensate for the valve body deformation caused by abnormal loads or temperature during operation. Its sealing is also safe and reliable.
3. The medium can flow in any direction through either side of the gate valve to fulfill the purpose of connection or cutting off.

VALVE MATERIAL LIST

Part Name	Part Material
Valve body, Gate plate, Bonnet, Packing seat, Packing gland, Handle	Gray cast iron HT200
Stem nut	QT450-10/Copper
Valve stem	2Cr13/Q235/Copper
Medium-caliber gasket	XB300
Packing	Flexible graphite
Bolts, Nuts	25/35



TECHNICAL SPECIFICATIONS

Model	DN	Size(mm)						
		L	D	D ₁	D ₂	b-f	z-Φd	H
SZ45T/W-10	40	165	145	110	85	17-2	4-Φ18	320
	50	178	160	125	100	19-2	4-Φ18	365
	65	190	180	145	120	19-2	4-Φ18	380
	80	203	195	160	135	21-2	4-Φ18	430
	100	229	215	180	155	21-2	8-Φ18	475
	125	254	245	210	185	23-2	8-Φ18	535
	150	267	280	240	210	24-3	8-Φ23	580
	200	330	335	295	265	26-3	8-Φ23	675
	250	380	390	350	320	28-3	12-Φ23	810
	300	420	440	400	368	28-4	12-Φ23	960
	350	450	500	460	428	29-3	16-Φ23	1020
	400	480	565	515	482	31-3	16-Φ25	1190

